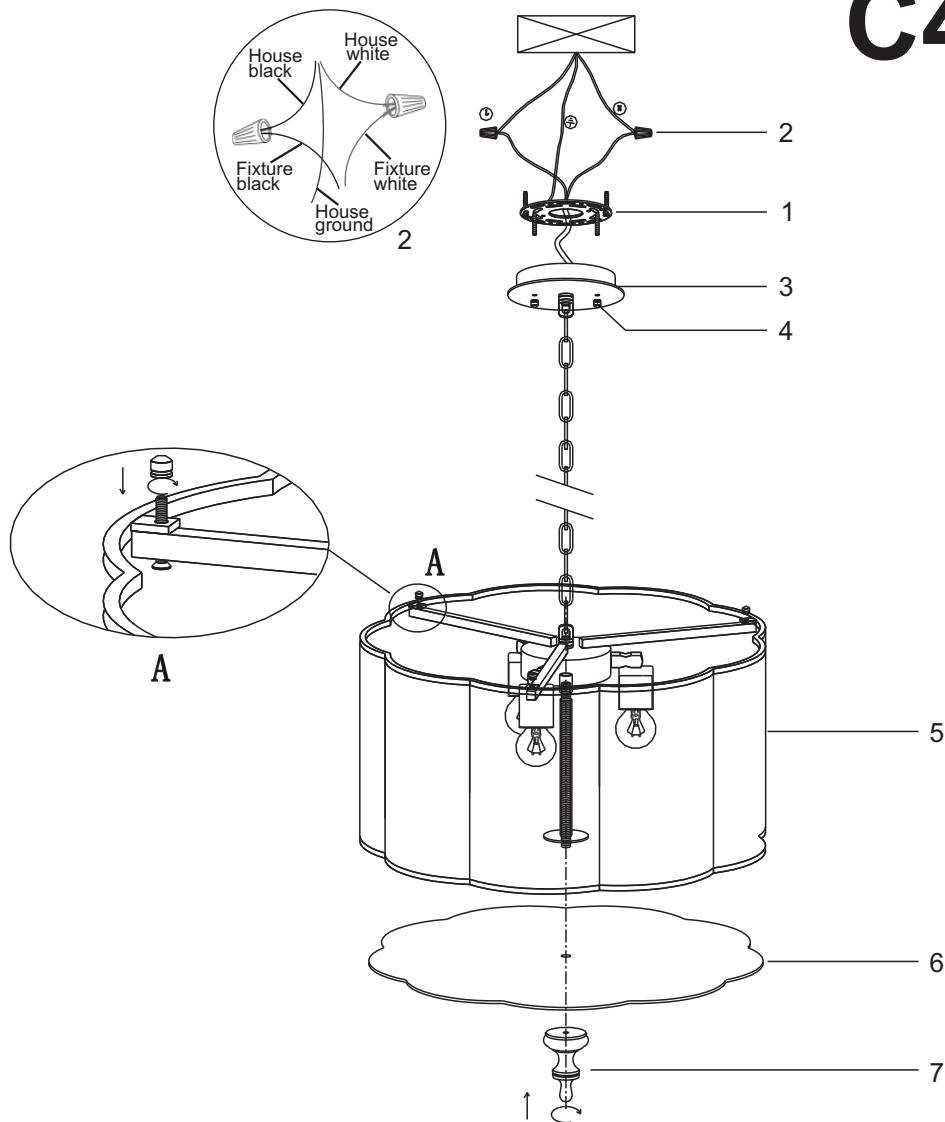




C45103 C45104



INSTALLATION INSTRUCTIONS:

- Ensure main supply is switched off.
- Fix mounting bracket (1) onto mounting surface with self-tapping screws.
- Connect wires (2) according to color (White to White, Black to Black). Connect all earth lug together onto the crossbar with green screw to tight.
- Move ceiling cup (3) onto mounting bracket with nuts (4).
- Fit the shade (5) onto lamp housing use screws & nuts. (See FIG. A)
- Install lamps.
- Fit bottom cover (6) onto shade with decorative nut (7).
- Reconnect power.

WARNING:

- This fitting must be earthed.
- Disconnect power and allow fitting to cool down before cleaning or changing the lamp.