

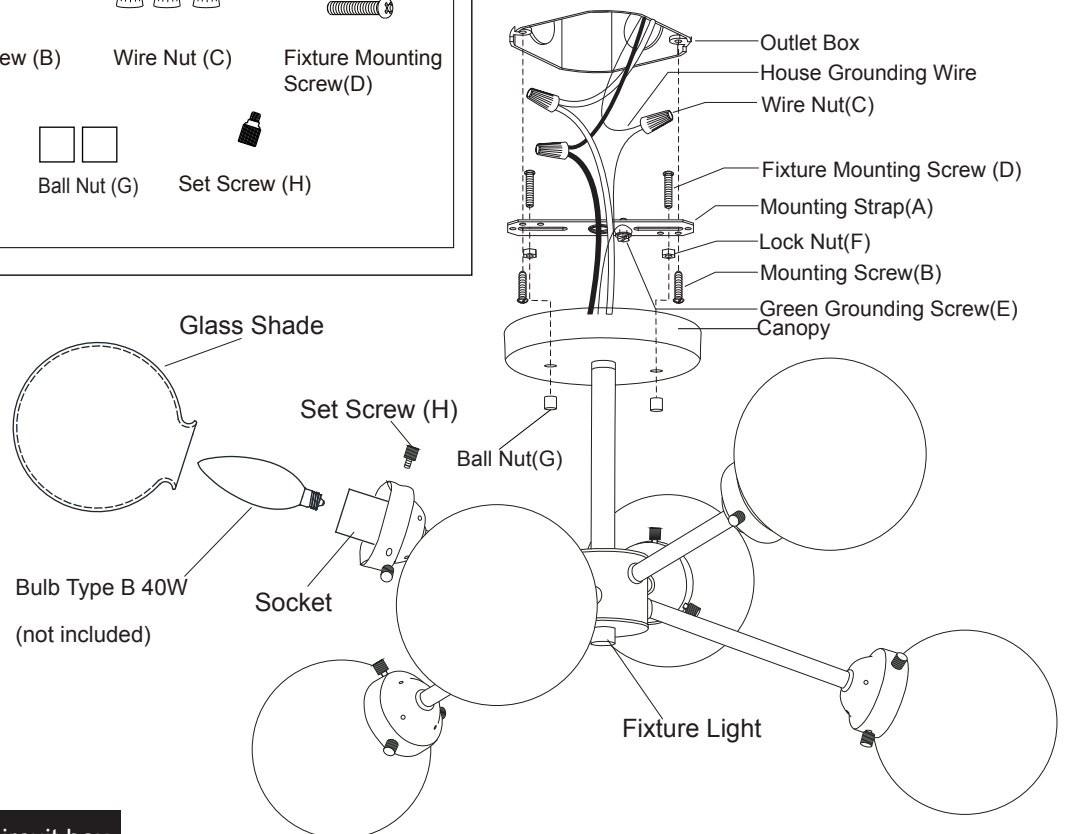
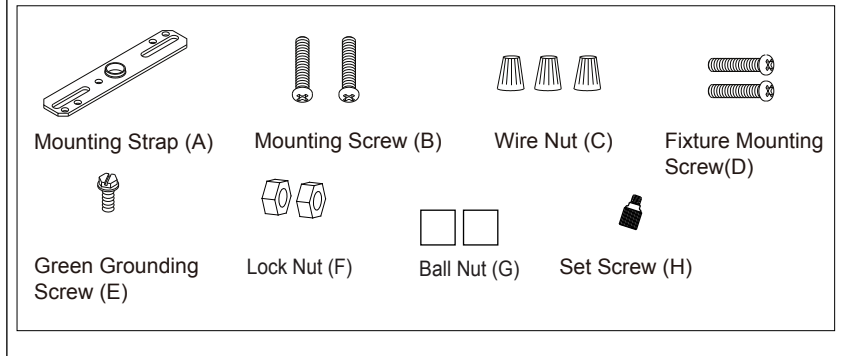
ASSEMBLY AND INSTALLATION INSTRUCTIONS

C0132

WARNING: TO AVOID RISK OF ELECTRICAL SHOCK, BE SURE TO SHUT OFF POWER BEFORE INSTALLING OR SERVICING THIS FIXTURE.

NOTE: 1. Before installing, consult local electrical codes for wiring and grounding requirements.
2. READ AND SAVE THESE INSTRUCTIONS.

Hardware Package (included):



Installation Steps

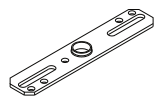
Turn off the power at fuse or circuit box

1. Attach two fixture mounting screws to the mounting strap, and then secure it with two lock nuts. Adjust the length of the fixture mounting screws if necessary.
2. Attach the mounting strap to the outlet box using two mounting screws.
3. Pull out the source wires from the outlet box. Make wire connections using wire nuts as follows:
 - Connect the black wire from the fixture to the black wire from the power source.
 - Connect the white wire from the fixture to the white wire from the power source.
 - Attach the fixture grounding wire to the mounting strap with the green grounding screw, and then connect it to the house grounding wire with a wire nut.Carefully put the wires back into the outlet box.
4. Install the bulbs (not included). Check relamping label at socket area or packaging for maximum allowed wattage.
5. Attach the glass shade onto the socket and tighten it with set screws.
6. Attach the canopy onto the outlet and tighten it with two ball nuts.

Turn on the power at fuse or circuit box

The following parts are available for re-order if damaged or missing.

Spare Parts List:



Mounting Strap (A)



Mounting Screw (B)



Wire Nut (C)



Fixture Mounting Screw(D)



Green Grounding Screw (E)



Lock Nut (F)



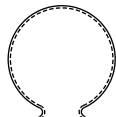
Ball Nut (G)



Set Screw (H)

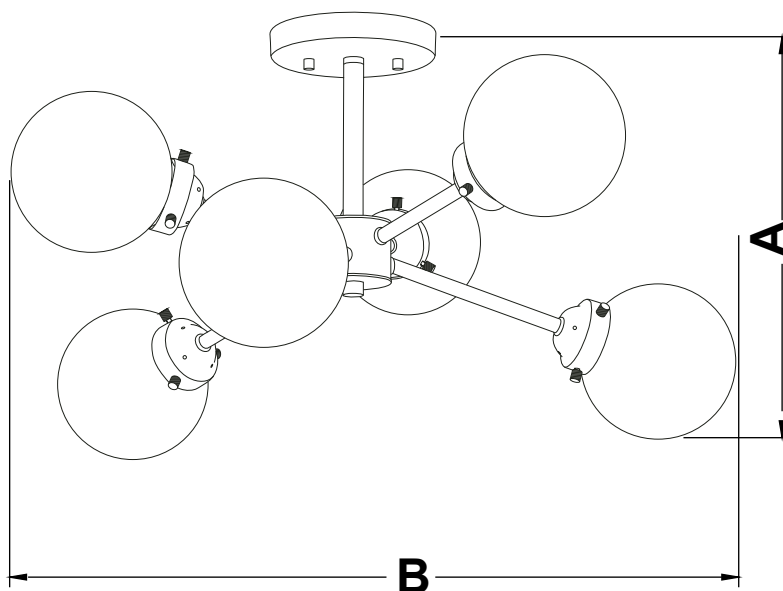


Set Screw
5642SS (1 SET)
X18



Glass Shade
9847CG

↑ Assembly Kit
5641MM (1SET)



A: 12-1/4"
B: 25"