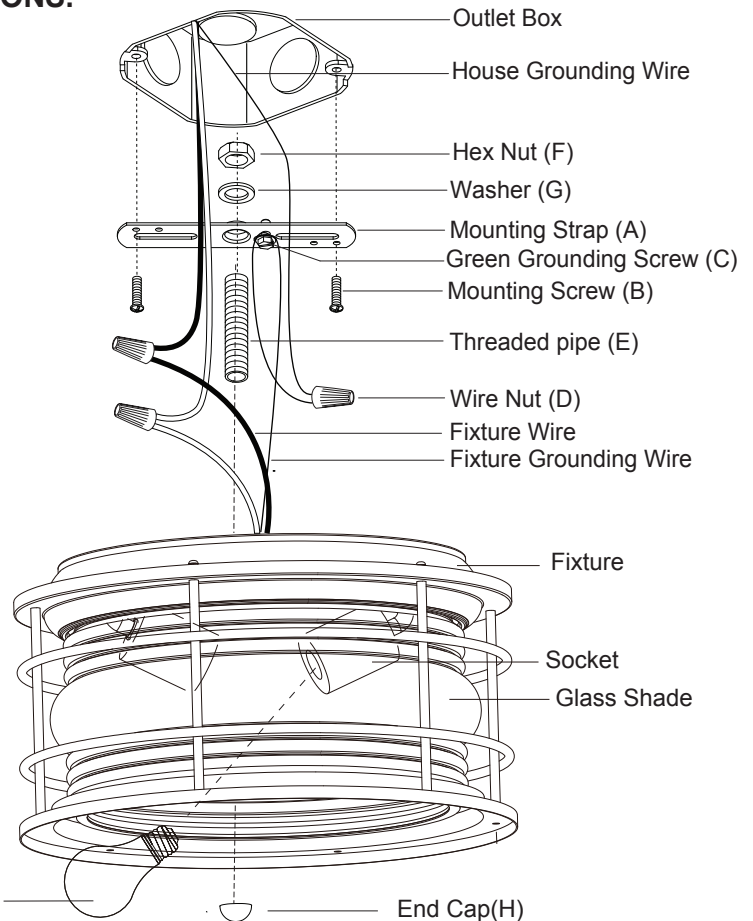
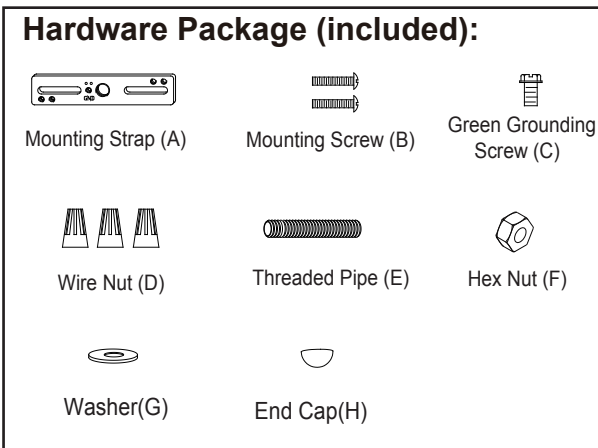


ASSEMBLY AND INSTALLATION INSTRUCTIONS

T0166 / T0167

WARNING: TO AVOID RISK OF ELECTRICAL SHOCK, BE SURE TO SHUT OFF POWER WHILE INSTALLING OR SERVICING THIS FIXTURE.

NOTES: 1. Before installing, consult local electrical codes for wiring and grounding requirements.
2. READ AND SAVE THESE INSTRUCTIONS.



Installation Steps

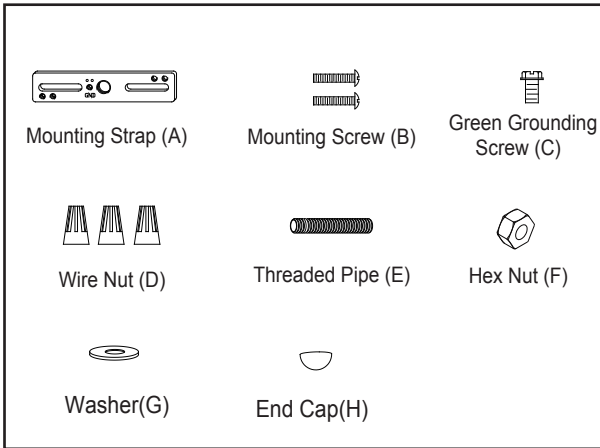
Turn off the power at the main fuse or circuit breaker box.

1. Attach the threaded pipe to the mounting strap, then secure it with a washer and hex nut.
2. Attach the mounting strap to the outlet box using two mounting screws.
3. Pull out the wires and grounding wire from the outlet box. Make wire connections using the wire nuts, as follow:
 - Connect the hot wire (usually black insulation) from the fixture to the black wire from the power source.
 - Connect the neutral wire (usually white insulation) from the fixture to the white wire from the power source.
 - Attach the fixture grounding wire (usually green insulation or bare wire) to the mounting strap with the green grounding screw. Then connect it to the house grounding wire with the wire nut.
 Carefully put the wires back into the outlet box.
4. Attach the fixture to the mounting strap by inserting threaded pipe into the center holes of the fixture and screw the end cap to secure the fixture.
5. Install bulbs (not included). See relamping label at socket area or packaging for maximum allowed wattage.

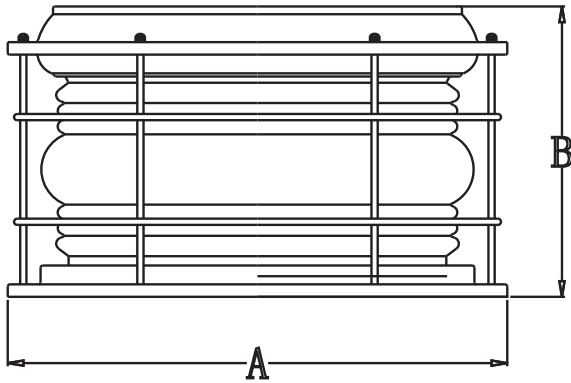
Turn on the power at the main fuse or circuit breaker box.

The following parts are available for re-order if damaged or missing.

Spare Parts List:



→ Assembly Kit
5207MM (1 SET) for T0166
5208MM (1 SET) for T0167



A: 12-5/8"

B: 7-1/2"