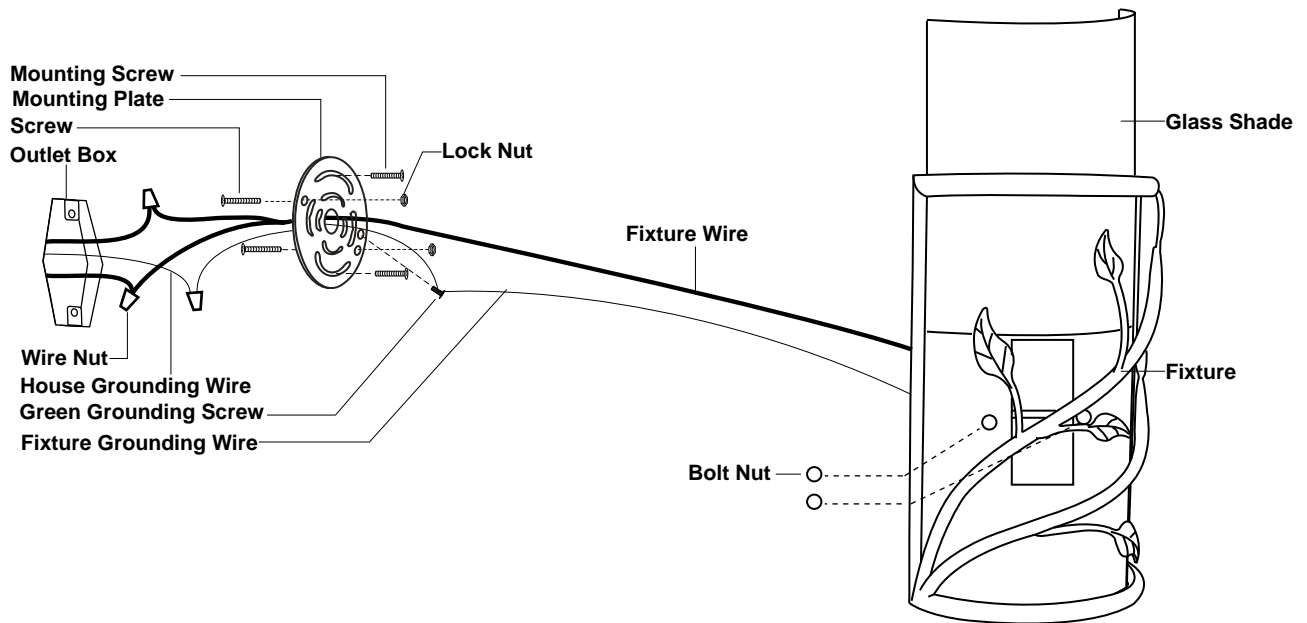


ASSEMBLY AND INSTALLATION INSTRUCTIONS

WS38865

WARNING: BE SURE TO SHUT OFF POWER AT THE MAIN FUSE OR CIRCUIT BREAKER BOX BEFORE INSTALLING OR SERVICING THIS FIXTURE.

NOTE: Before installing, consult local electrical codes for wiring and grounding requirements.



1. Unscrew the bolt nuts from the fixture, and remove the mounting plate.
2. Thread the two screws to the mounting plate, then secure them with the two lock nuts. Adjust the length of the screws if necessary.
3. Attach the mounting plate to the outlet box by using two mounting screws.
4. Pull out the outlet wires and the house grounding wire from the outlet box. Make wire connections using the wire nuts:
 - The black wire from the fixture to the black wire from the power source.
 - The white wire from the fixture to the white wire from the power source.
 - Attach the fixture grounding wire to the mounting plate with the green grounding screw. Then connect it to the house grounding wire with a wire nut.Carefully tuck the wires back into the outlet box.
5. Reattach the back plate to the mounting plate by inserting the two screws, then secure it with the two bolt nuts.
6. Attach the glass shades to the fixture.
7. Install bulbs (not included). See relamping label at socket area or packaging for maximum allowed wattage.
8. Turn on the power at the main fuse or circuit breaker box.